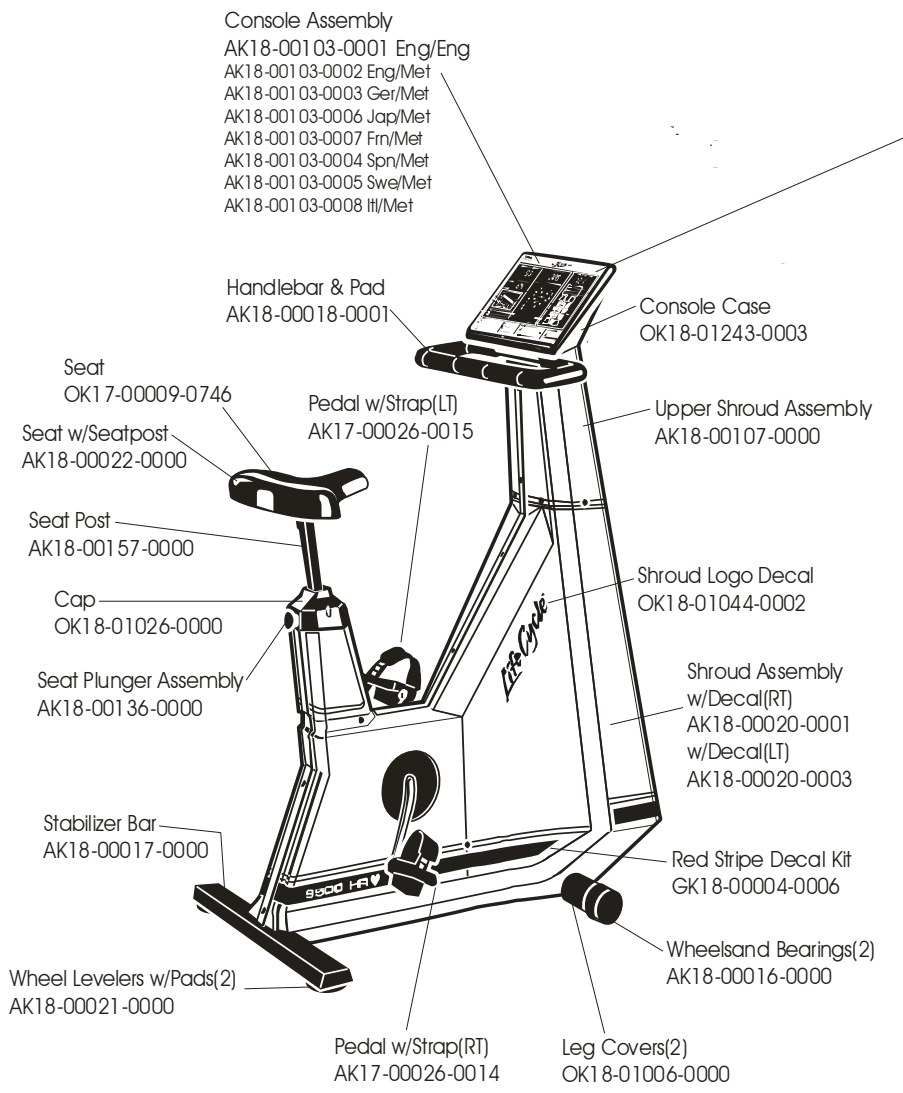


9500 LC- EXERCISE BIKE

GK18-00008-XXXX
SN# 451-475, 149744-150042, 150284-150416

END OF LIFE



Overlay Bezel
AK18-00108-0001 Eng/En
AK18-00108-0002 Eng/Met
AK18-00108-0003 Ger/Met
AK18-00108-0006 Jap/Met
AK18-00108-0007 Frn/Met
AK18-00108-0004 Spn/Met
AK18-00108-0005 Swe/Met
AK18-00108-0008 Itl/Met

UNLABELED PARTS	
DESCRIPTION	PARTS NO.
CAP: SEAT-POST	OK18-01242-0000
CRANK-ARM/SPRDT ASSY: MFG. B	+AK18-00019-0000
NLA/DISCONT. – NC ALT-CNTRL ASSY: MFG	+AK18-000133-0000

9500 LC- EXERCISE BIKE

GK18-00008-XXXX
SN# 451-475, 149744-150042, 150284-150416

